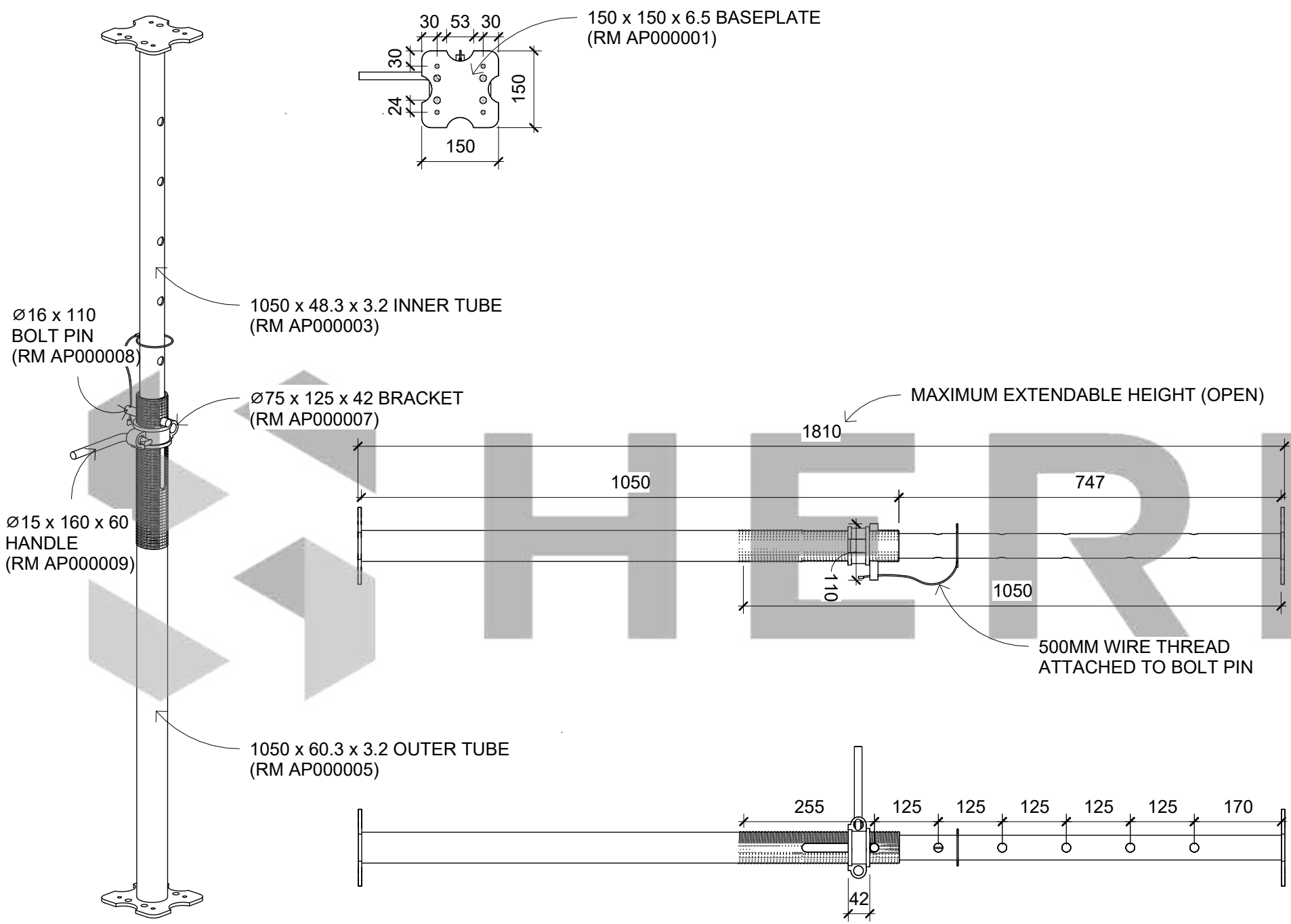


General Comments

Materials

High Grade Steel



HERMEQ



Email: sales@hermeq.com Phone: 0121 725 2338

No.	Description	Date

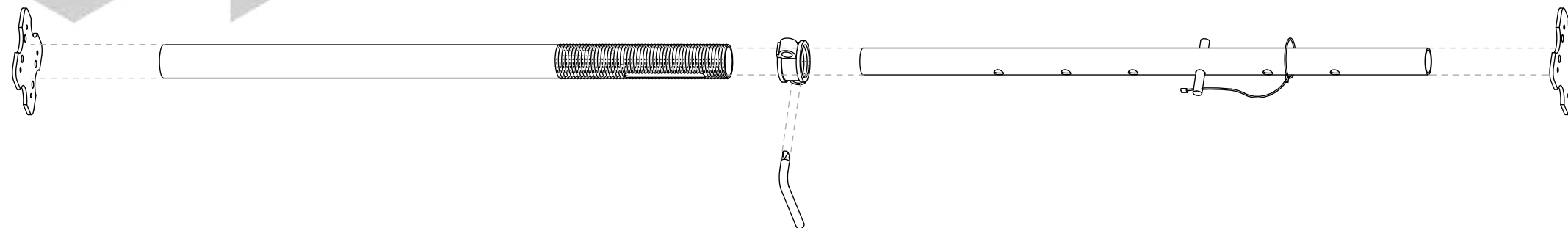
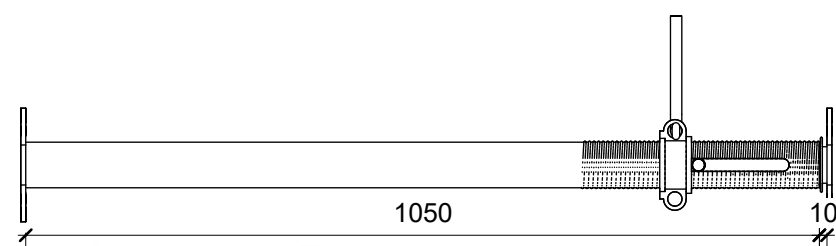
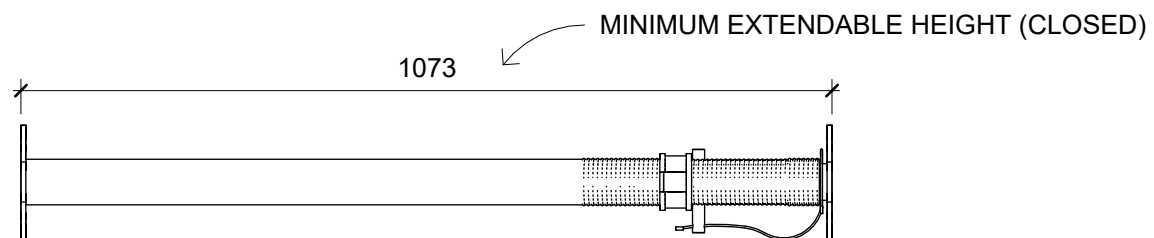
Item	Component Description	Quantity
RM AP000001	150mm x 150mm x 6.5mm BASEPLATE	2
RM AP000003	1050mm x 48.3mm x 3.2mm INNER TUBE	1
RM AP000005	1050mm x 60.3mm x 3.2mm OUTER TUBE	1
RM AP000007	Ø75mm x 125mm x 42mm BRACKET	1
RM AP000008	Ø16mm x 110mm BOLT PIN	1
RM AP000009	Ø15mm x 160mm x 60mm HANDLE	1

ADJUSTABLE STEEL PROPS - 1810 MAX, 1073 MIN			
Weight	N/A	Serial Number	Revision
Date	31/03/2023	AP3045	
Drawn by	JT		
Checked by	Checker	Scale	1 : 10 @A3

General Comments

Materials

High Grade Steel



Email: sales@hermeq.com Phone: 0121 725 2338

No.	Description	Date

Item	Component Description	Quantity
RM AP000001	150mm x 150mm x 6.5mm BASEPLATE	2
RM AP000003	1050mm x 48.3mm x 3.2mm INNER TUBE	1
RM AP000005	1050mm x 60.3mm x 3.2mm OUTER TUBE	1
RM AP000007	Ø75mm x 125mm x 42mm BRACKET	1
RM AP000008	Ø16mm x 110mm BOLT PIN	1
RM AP000009	Ø15mm x 160mm x 60mm HANDLE	1

ADJUSTABLE STEEL PROPS - 1810 MAX, 1073 MIN			
Weight	N/A	Serial Number	Revision
Date	31/03/2023	AP3045 BD	
Drawn by	JT		
Checked by	Checker	Scale	1 : 10 @A3