

General Comments

Materials

Mild Steel



Email: sales@hermeq.com

No.	Description	Date

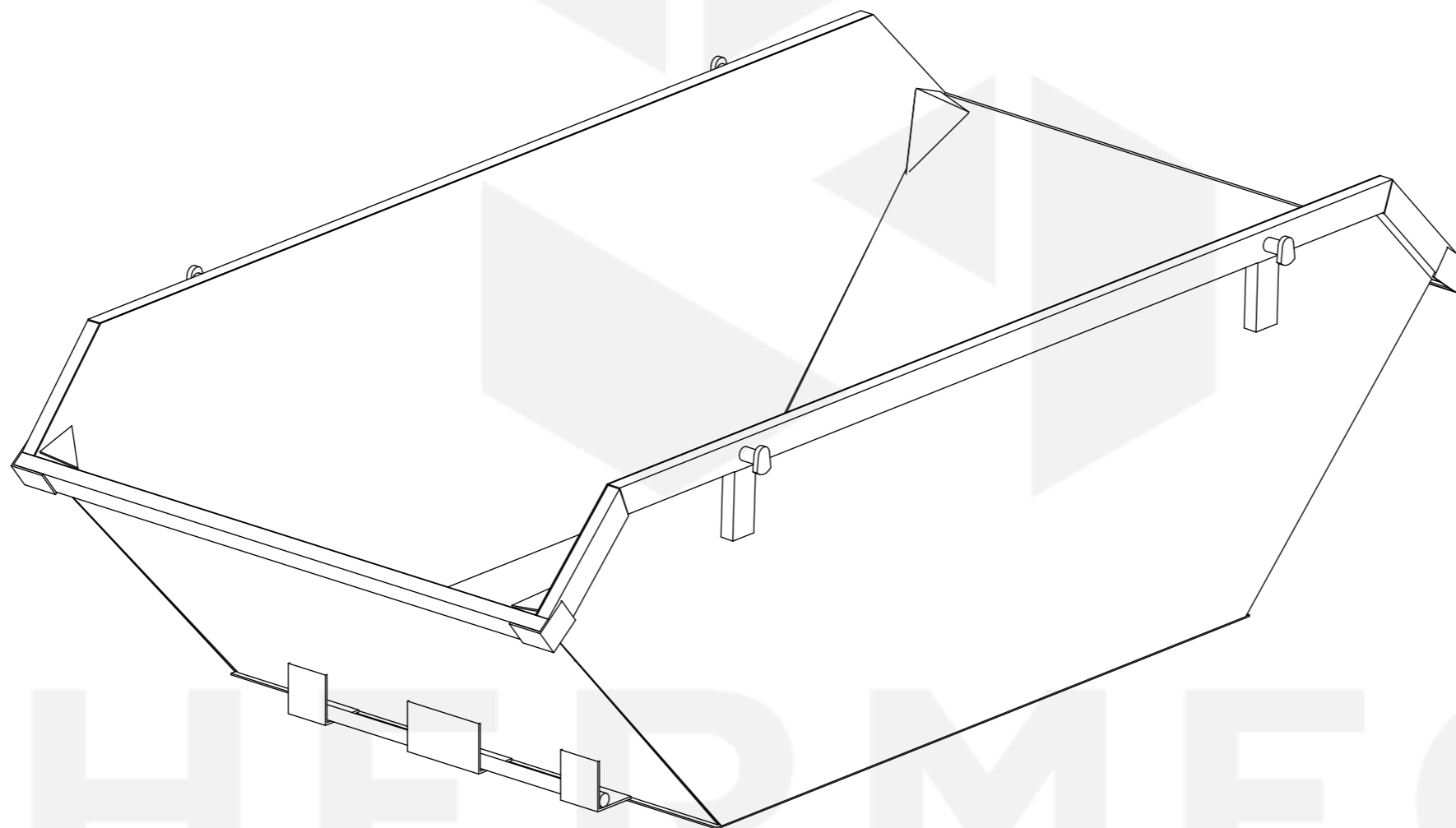
SKU	Component Description	Quantity
CPBAR00017	BAR-H-35-50	4
CPBAR00018	BAR-H-35-1000	2
CPBEN00068	BEN-H-Builders Skip - Reinforcement - G5mm - 200mm x 80mm - Bent	4
CPBEN00069	BEN-H-Builders Skip - Inner Reinforcement - G5mm - 285mm x 140mm - Bent	4
CPBEN00070	BEN-H-Builders Skip - Bar Support - Middle - G6mm - 230mm x 130mm x 120mm - (Bent)	2
CPBEN00071	BEN-H-Builders Skip - Bar Support - Ends - G6mm - 120mm x 130mm x 120mm - (Bent)	4
CPBLA00044	BLA-H-1930-1570-4 - Builders Skip - Base - 8 Yard	1
CPPRO00079	PRO-H-Builders Skip - Lifting Plate - HR Profile Shape - 70mm x 50mm - 14mm	4
CPPRO00082	PRO-H-Builders Skip - Side - 8 Yard - HR Profile Shape - 3300mm x 1020mm - 3mm	2
CPPRO00084	PRO-H-Builders Skip - Upslope - 8 Yard - HR Profile Shape - 1620mm x 1020mm - 3mm	2

Builders Skip - 8 Yard - Unpainted			
Weight	N/A	Serial Number	Revision
Date	21/06/2024	CPMAN00080	
Drawn by	JT		
Approved by	GM	Scale	1 : 20 @A3

General Comments

Materials

Mild Steel



HERMEQ®



HERMEQ®

Email: sales@hermeq.com

No.	Description	Date

SKU	Component Description	Quantity
CPPUR00051	PUR-Mild Steel Channel - 76mm x 38mm x 2800mm - 6.7KG	2
CPPUR00052	PUR-Mild Steel Channel - 76mm x 38mm x 1700mm - 6.7KG	2
CPPUR00053	PUR-Mild Steel Channel - 76mm x 38mm x 365mm - 6.7KG	4
CPPUR00054	PUR-Mild Steel Channel - 76mm x 38mm x 180mm - 6.7KG	4

Builders Skip - 8 Yard - Unpainted			
Weight	N/A	Serial Number	Revision
Date	21/06/2024	CPMAN00080	- 3D View
Drawn by	JT		
Approved by	GM	Scale	@A3