

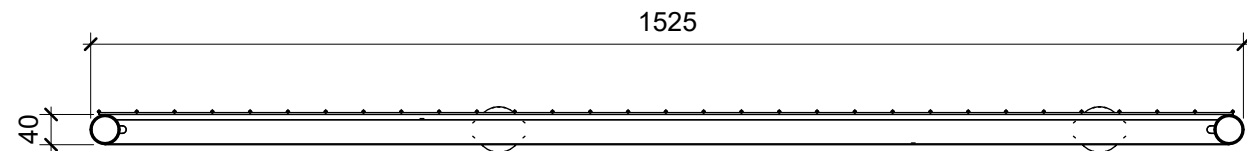
General Comments

Powder Coated as standard
RAL 9016 White – other
colours available on request

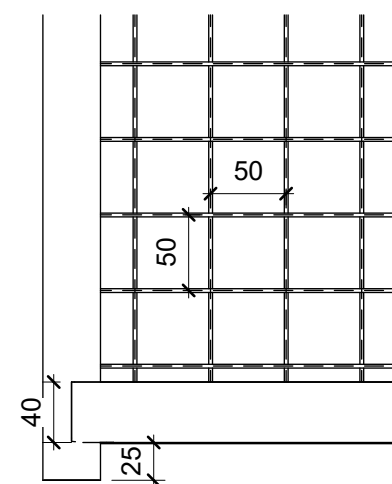
Materials

Pre - Galvanised Steel

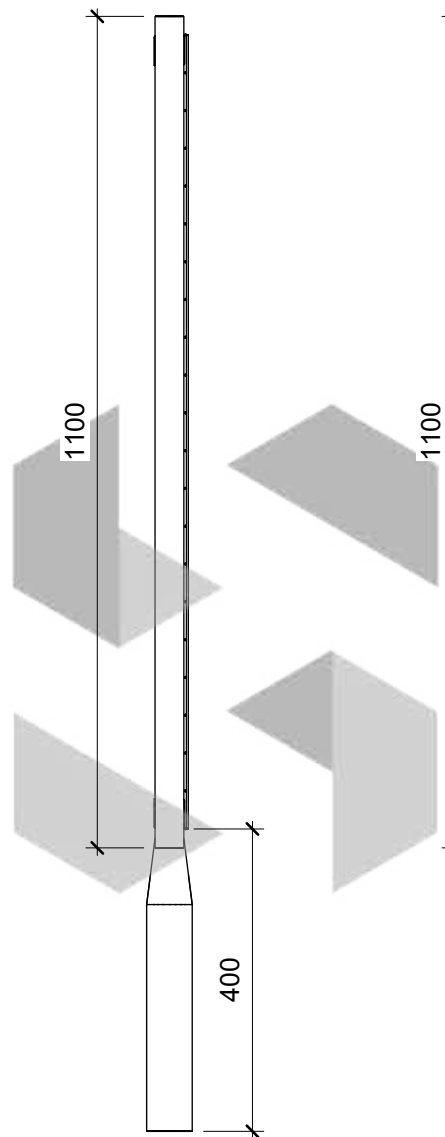
Hot Rolled Steel - CHS FEET
(RM HW00019)



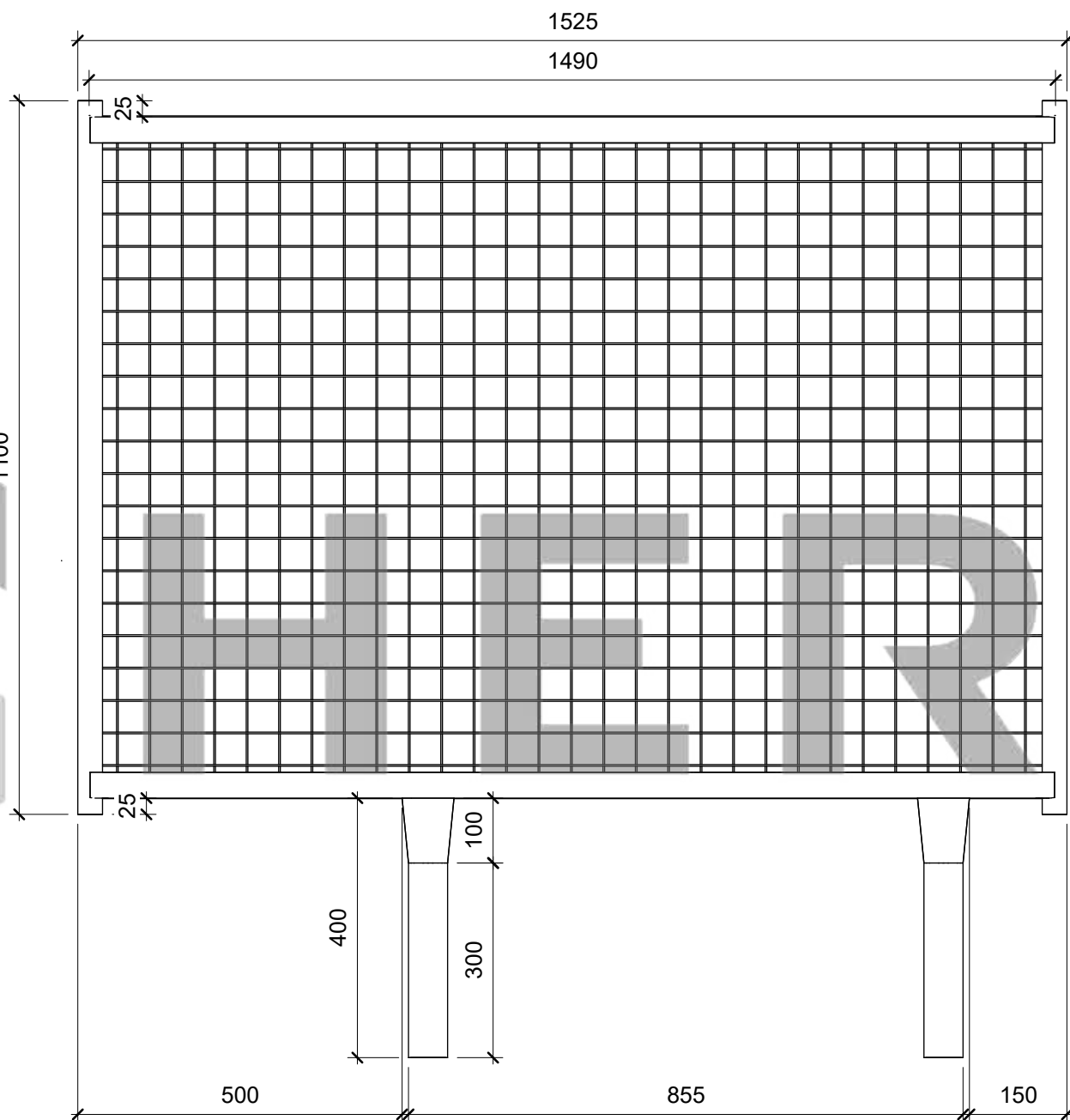
SCALE 1:10



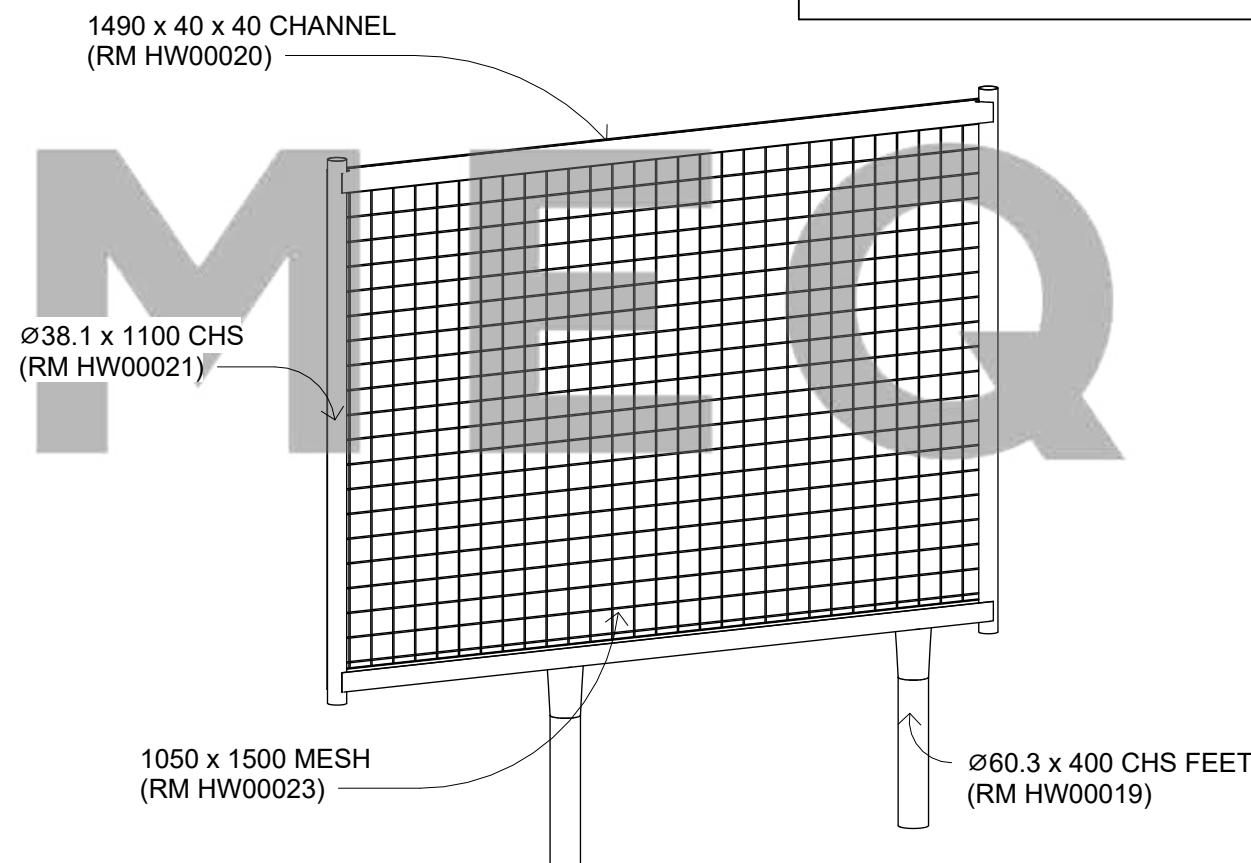
SCALE 1:5



SCALE 1:10



SCALE 1:10



Email: sales@hermeq.com Phone: 0121 725 2338

No.	Description	Date

Item	Component Description	Quantity
RM HW00019	G3mm - Ø60.3mm x 400mm CHS FEET	2
RM HW00020	G1.2mm - 1490mm x 40mm x 40mm CHANNEL	2
RM HW00021	G0.9mm - Ø38.1mm x 1100mm CHS	2
RM HW00023	G2.5mm - 1050mm x 1500mm MESH	1

RB2000 MESH EXTENSION			
Weight	N/A	Serial Number	Revision
Date	18/04/2023	HW3850	
Drawn by	JT		
Checked by	PM	Scale	As indicated @A3